

Go-kart2

PARTS CATALOGUE



说 明

用户订购零件时请参考本册，若与实车不同之处，以实车为准。如欲知某零部件的名称、件号或装配关系，可按零部件的形状，在有关的插图中查找，可知其装配位置。然后按图上的序号在相应的表格中即可查到该零部件的名称、件号和数量。后续更改，不再通知。

FOREWORD

Please make reference to this book when you plan to purchase the parts. Any difference against the real motorcycle, please do as per the real. To get information concerning a certain component part, first locate, by its shape, the part in the illustration which show its fitting position, then find out the reference number of that part and look it up in the corresponding table where all information about the part are provided, such as the name, part number, quantity and/or its fitting relationship with other parts. Any modifications will not be informed ahead of time.

CONTENTS

FIG1	CYLINDER HEAD ASSY	FIG14	DRIVE PULLEY SUBASSY
FIG2	CYLINDER ASSY	FIG15	CARBURETOR
FIG3	CRANKCASE ASSY(1)	FIG16	FRAME GROUP
FIG4	CRANKCASE ASSY(2)	FIG17	STEERING SHAFT ASSY
FIG5	CRANKSHAFT CONROD & PISTON ASSY	FIG18	SUSPENSION ARM ASSY
FIG6	CAMSHAFT ASSY	FIG19	REAR CARGO RACK/SEAT/BELT
FIG7	LEFT COVER ASSY	FIG20	REAR SWING ARM ASSY.UPPER
FIG8	FAN COVER AND SHROUD ASSY	FIG21	ENGING/MUFFLER/AIR CLEANER
FIG9	OIL PUMP ASSY	FIG22	REAR SWING ARM
FIG10	DRIVEN PULLEY AND CLUTCH SUBASSY	FIG23	REAR HOUSING
FIG11	TRANSMISSION ASSY	FIG24	WIRE HARNESS/ELECTRICAL
FIG12	ELECTRIC SYSTEM	FIG25	REVERSE ASSY
FIG13	ELECTRIC STARTER ASSY		

FIG.1

PARTS CATALOG

CYLINDER HEAD ASSY.

NO.	PART NO.	PART NAME	Q T Y
24	M150-1001307	VALVE EX	1

CYLINDER HEAD ASSY.

NO.	PART NO.	PART NAME	Q T Y
1	M150-1001320	HEAD CYLINDER SUBASSY	1
2	98056-57713-00	PLUG SPARK(CHISA NGK)	1
3	M150-1001010	GASKET CYLINDER HEAD	1
4	M150-1001004	GASKET CARBURETOR INSULATOR	1
5	M150-1001005	INSULATOR CARBURETOR	1
6	M150-1001210	PIPE COMP.IN	1
7	M150-1001220	BAND INSULATOR	1
8	M150-1001103	GASKET HEAD COVER	1
9	M150-1001201	O-RING 27X2	1
10	M150-1001001	TUBE BREATHER	1
11	M150-1001011	BOLT STUD M6X18	2
12	M150-1001006	BOLT STUD M6X50	2
13	M150-B-1003075	BOLT FLANGE M6X25	4
14	95500-06001-KAS	NUT FLANGE M6-ZND	2
15	M150-1001100	COVER COMP. CYLINDER HEAD	1
16	M150-1001007	PINDOWEL 10X16	2
17	M150-1003007	BOLT FLANGE M6X100,CYLINDER HEAD	2
18	M150-1001301	VALVE.IN	1
19	M150-1001310	SEAL VALVE STEM	2
20	M150-1001302	SEAT VALVE SPRING OUTER	2
21	M150-1001303	SPRING VALVE OUTER, INNER	2
22	M150-1001305	RETAINER VALVE SPRING	2
23	M150-1001306	COTTER VALVE	4

FIG.1

CYLINDER HEAD ASSY.

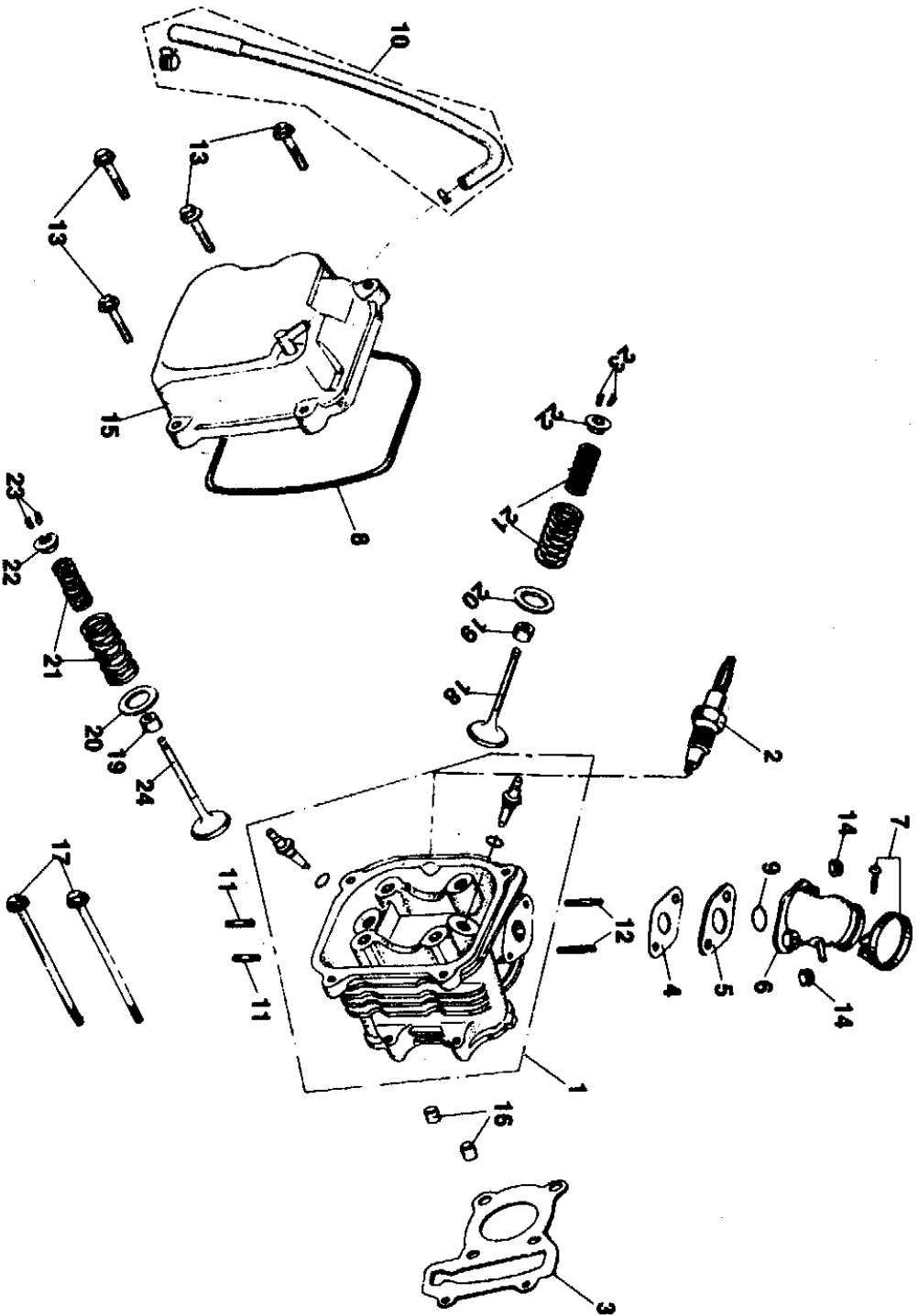


FIG.2

CYLINDER ASSY.

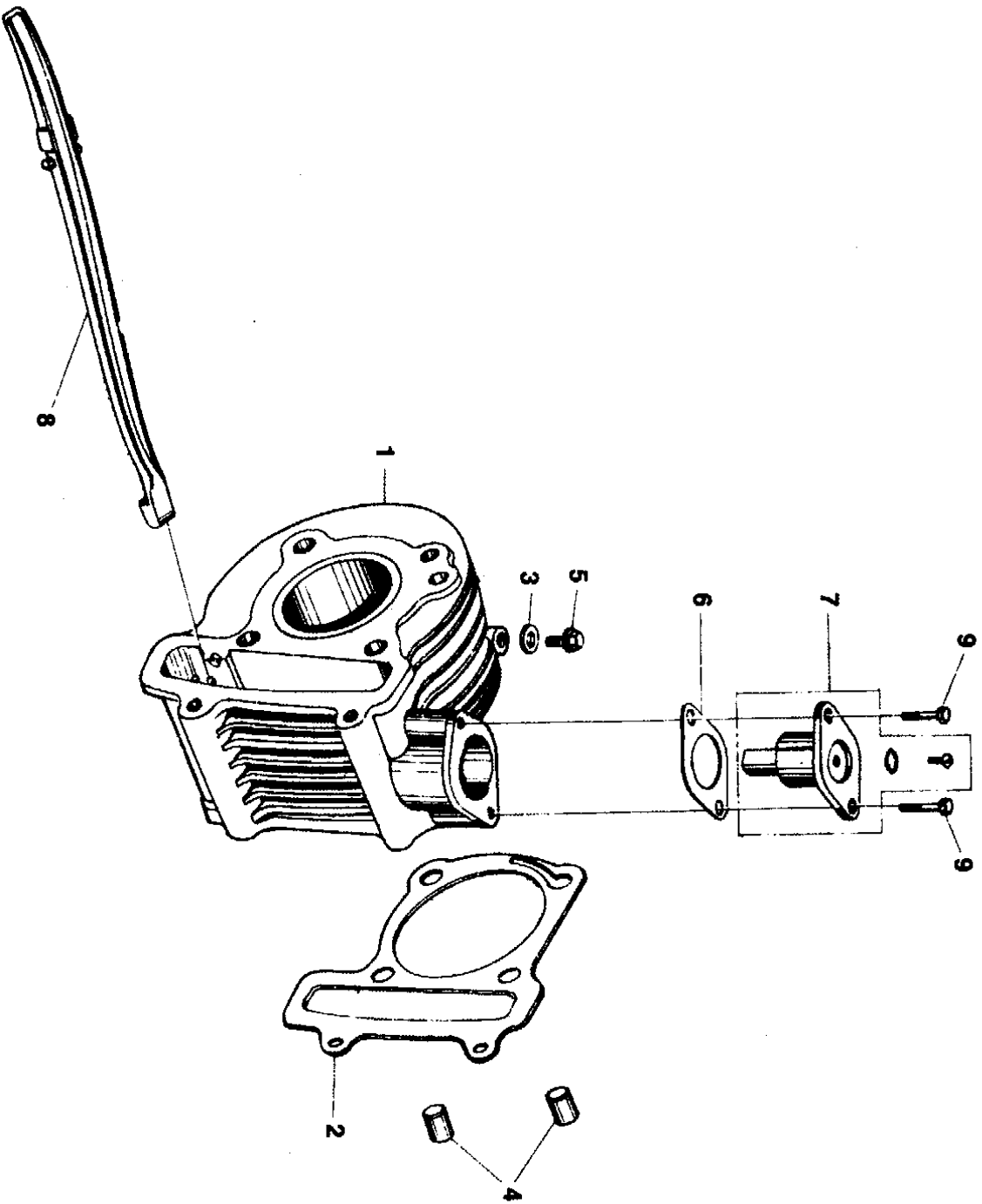
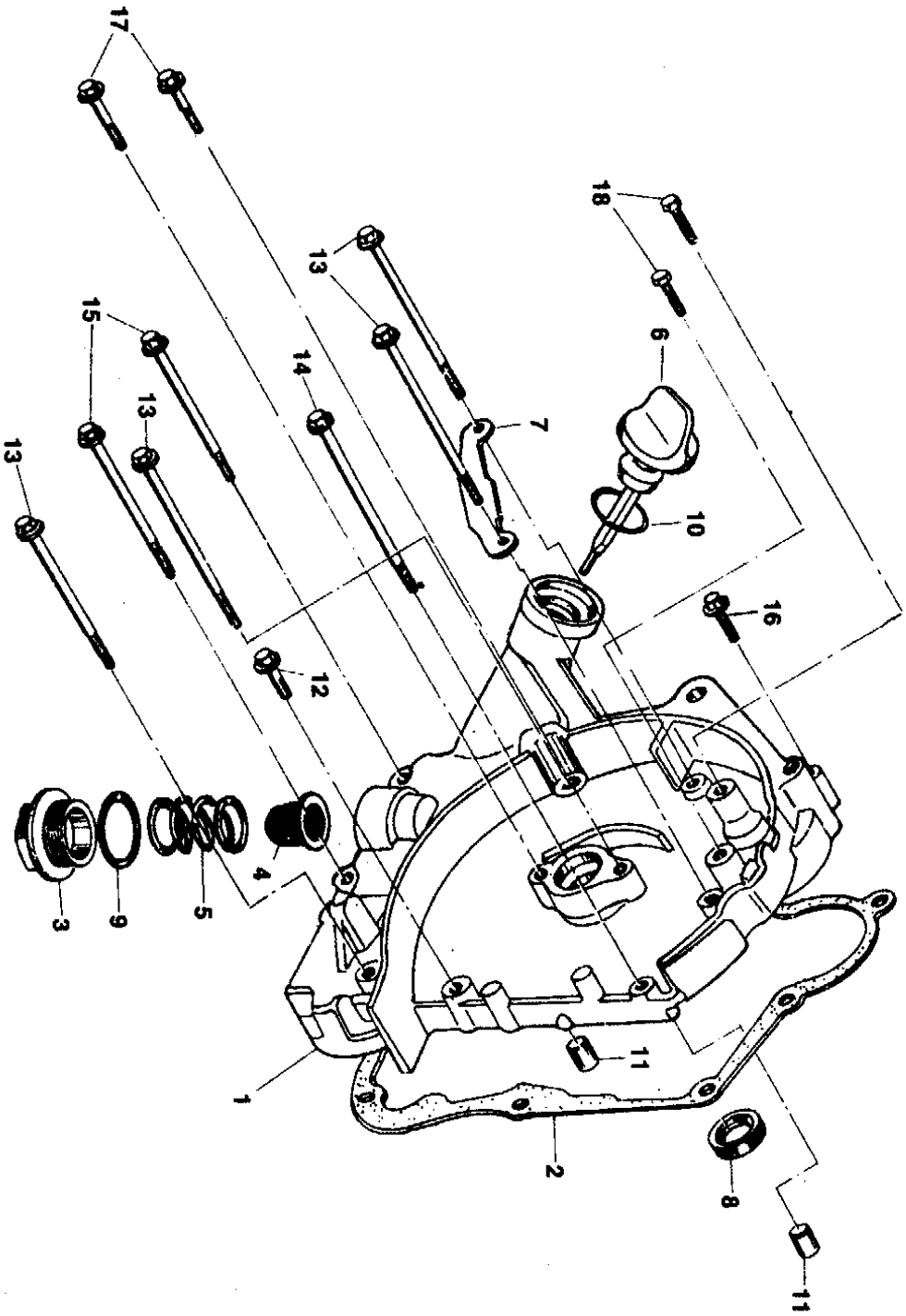


FIG.3

CRANKCASE ASSY.(1)

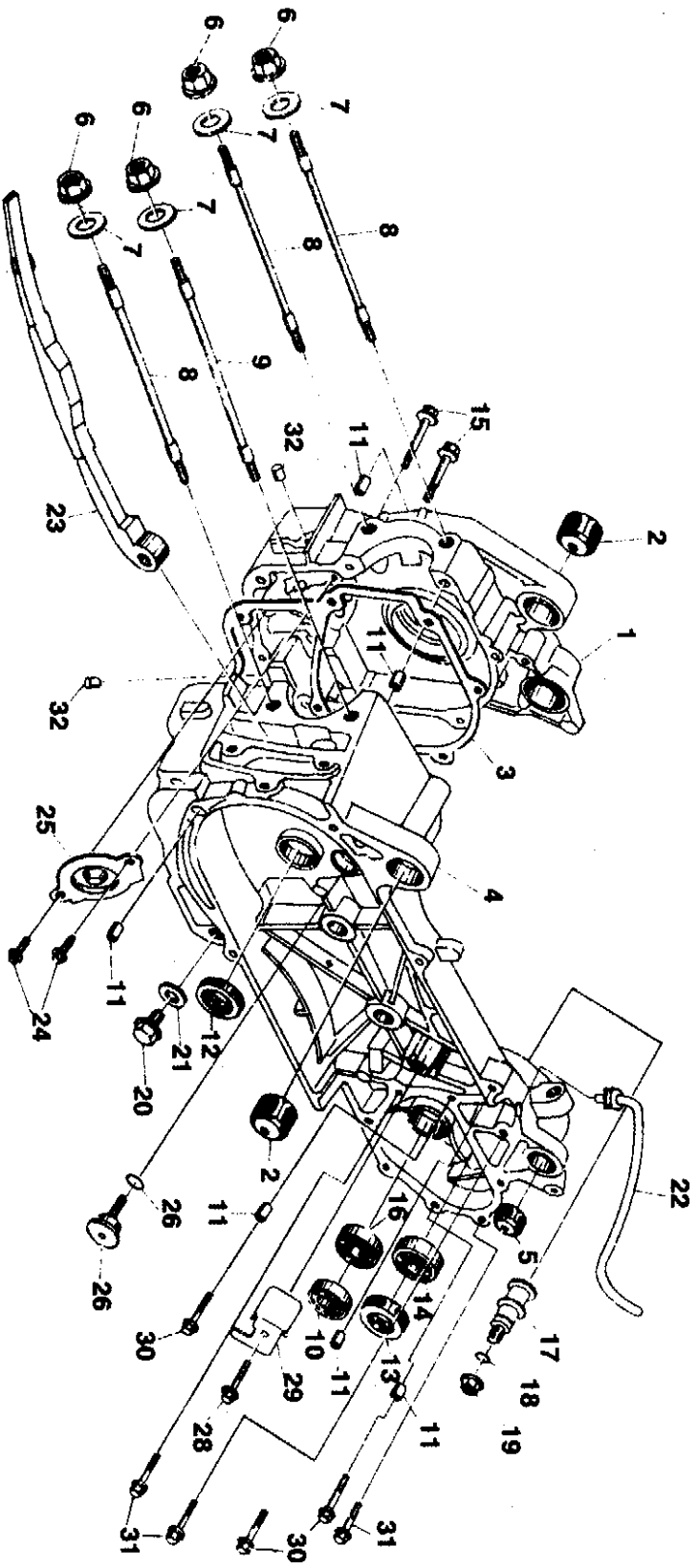


CRANKCASE ASSY.(2)			
NO.	PART NO.	PART NAME	Q T Y
24	M150-1003203	BOLT FLANGE M6X12	2
25	M150-1003202	SEPARATOR OIL	1
26	M150-1003022	PIVOT CAM CHAIN TENSIONER	1
27	M150-1003023	OIL SEAL 15.2X12	1
28	M150-1003005	BOLT FLANGE M6X14	1
29	M150-1003021	PLATE KICK RETURN STOPPER	1
30	M150-1003009	BOLT FLANGE M6X35	3
31	M150-1003011	BOLT FLANGE M6X25	3
32	M150-1003201	PLUG OIL 6.5X5	2

CRANKCASE ASSY.(2)			
NO.	PART NO.	PART NAME	Q T Y
1	M150-1003210	CRANKCASE ASSYR	1
2	M150-1003320	BUSH ENGINE HANGER RUBBER	2
3	M150-1003014	GASKET CRANKCASE	1
4	M150-1003310	CRANKCASE ASSYL	1
5	M150-1003330	BUSH RR CUSHION UNDER RUBBER	1
6	M150-1003003	NUT FLANGE M8	4
7	M150-1003004	WASHER Ø8	4
8	M150-1003001	BOLT STUD M6X187.5	2
9	M150-1003002	BOLT STUD M6X195.5	2
10	91004-E6002-KAT	BEARING RADIAL BALL E6002	1
11	M150-1003005	PIN DOWEL 8X14	6
12	M150-1003110	OIL SEAL 19.8X30X5	1
13	M150-1003340	OIL SEAL 72X42X7	1
14	91004-E6004-2RS	BEARING RADIAL BALL E6004-2RS	1
15	M150-1003032	BOLT FLANGE M6X50	2
16	91004-E6301-KAT	BEARING RADIAL BALL E6310	1
17	M150-1003015	PIN BRAKE SHOE ANCHOR	1
18	M150-1003016	OIL SEAL 7.5X15	1
19	M150-1003600	NUT FLANGE M8	1
20	M150-1003018	BOLT DRAIN PLUG M12	1
21	M150-1003019	WASHER DRAIN PLUG Ø12	1
22	M150-1003400	TUBE BREATHER	1
23	M150-1003500	CTENSIONER CAM CHAIN	1

FIG.4

CRANKCASE ASSY.(2)





[The page contains approximately 25 lines of text that have been almost entirely obscured by heavy black redaction bars. Only a few faint characters and line structures are visible through the bars.]

FIG.6

CAMSHAFT ASSY.

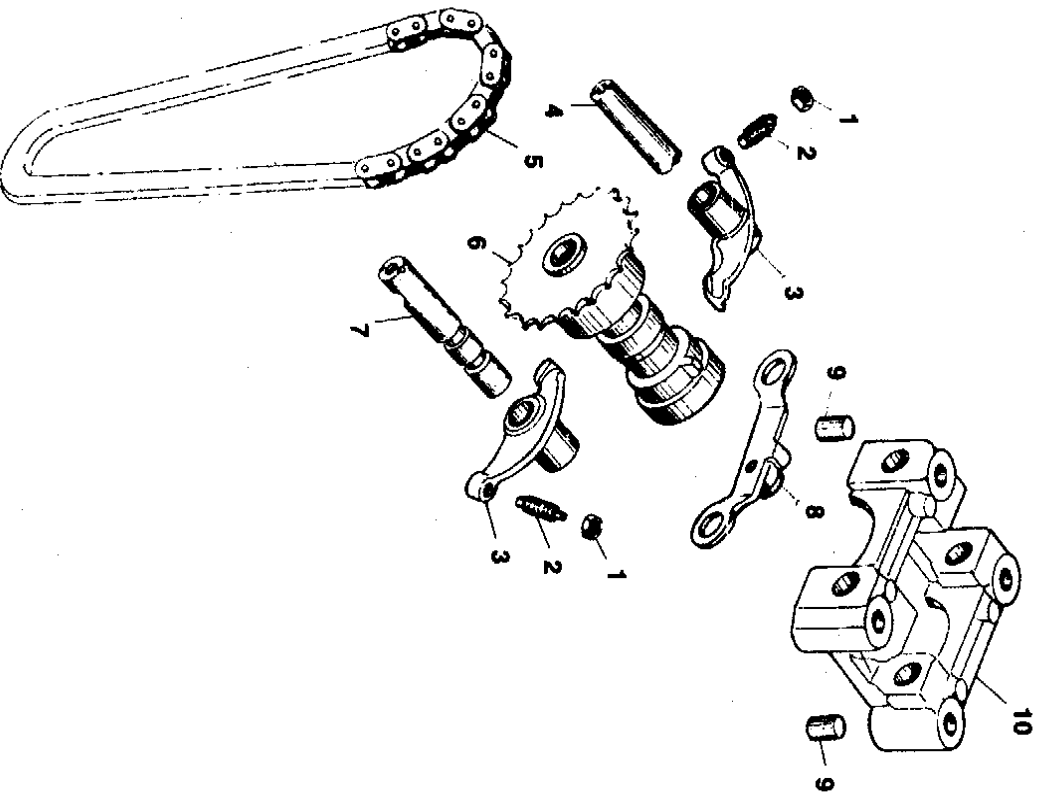


FIG.7

LEFT COVER ASSY.

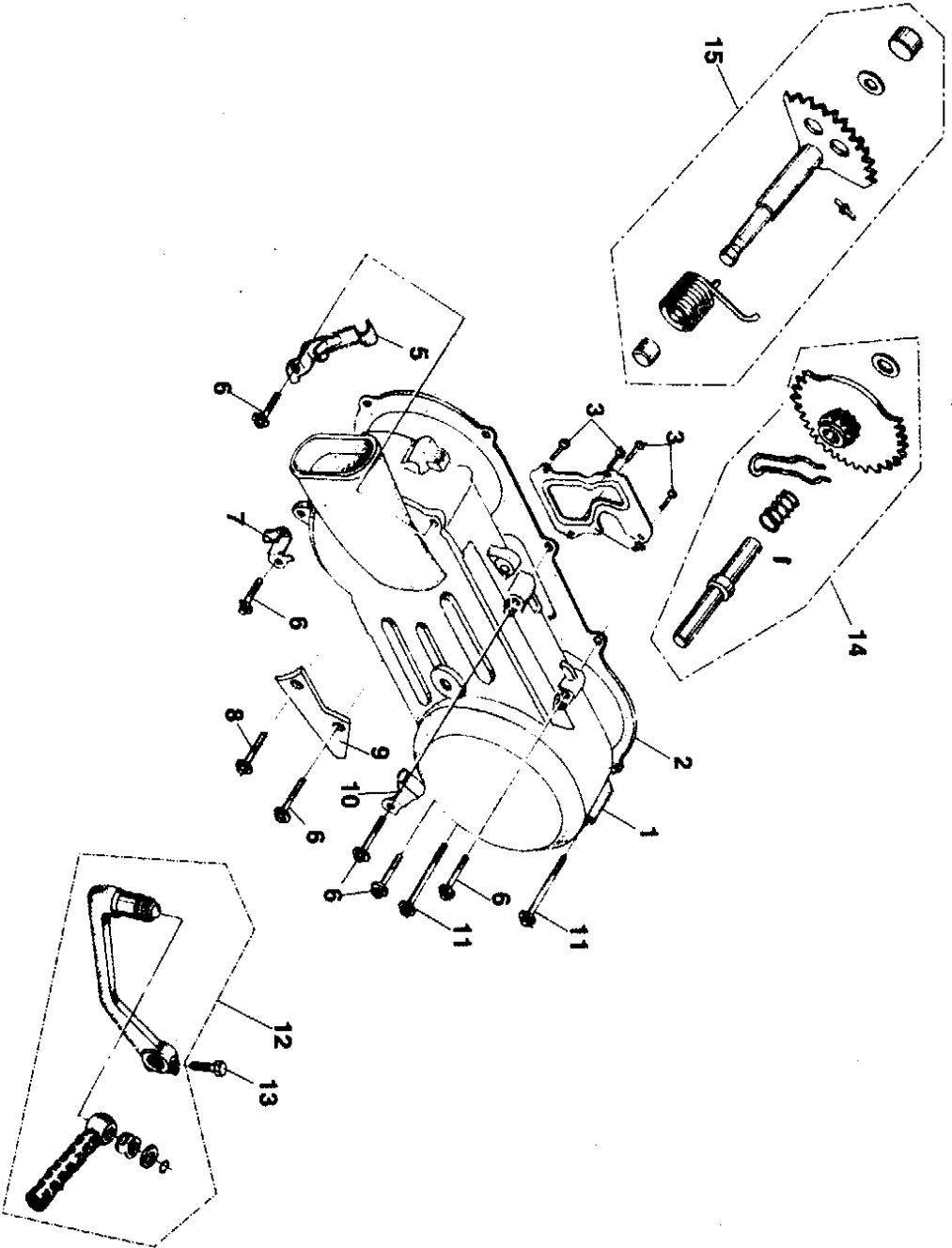


FIG.8

FAN COVER AND SHROUD ASSY.

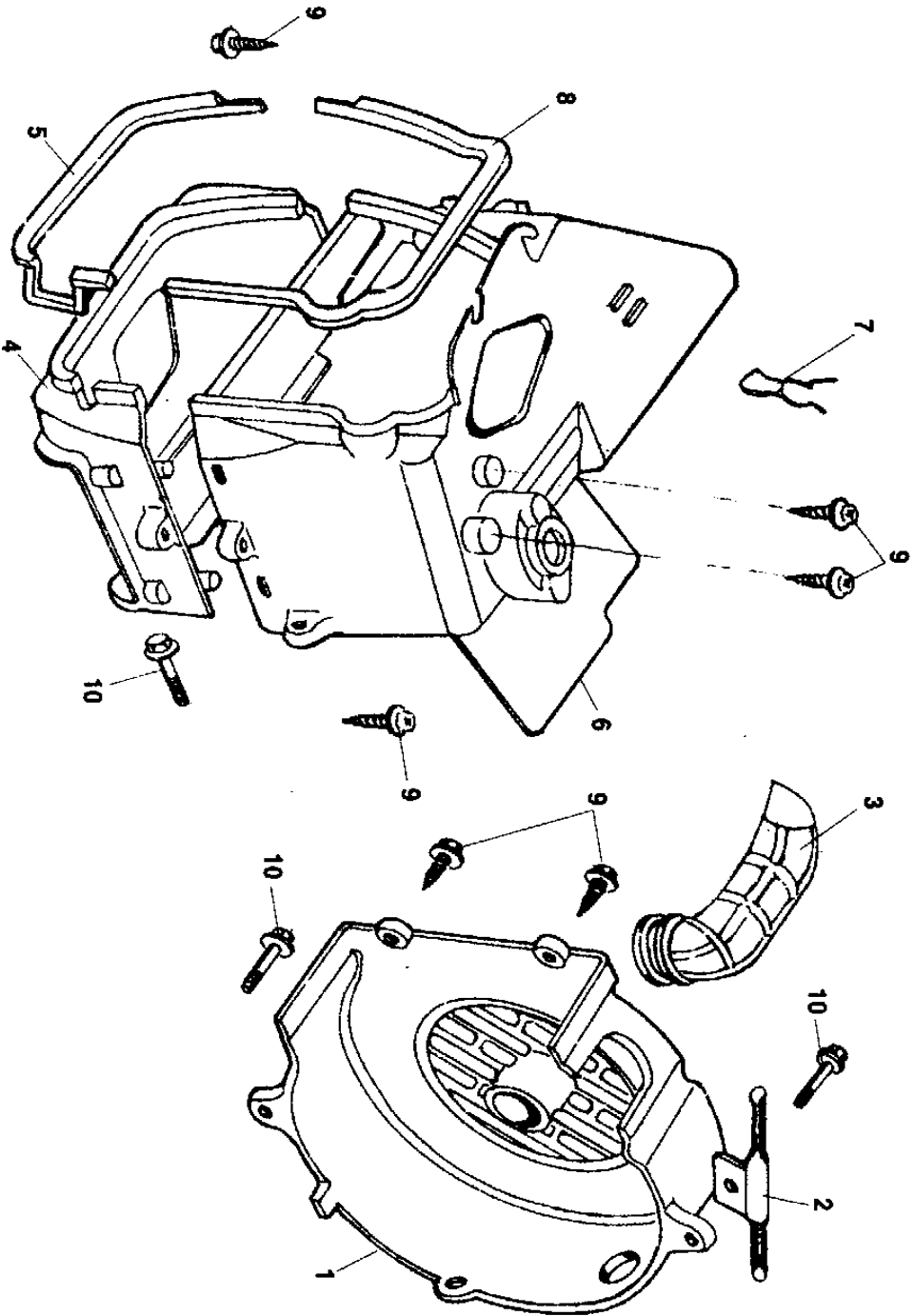


FIG.9

OIL PUMP ASSY.

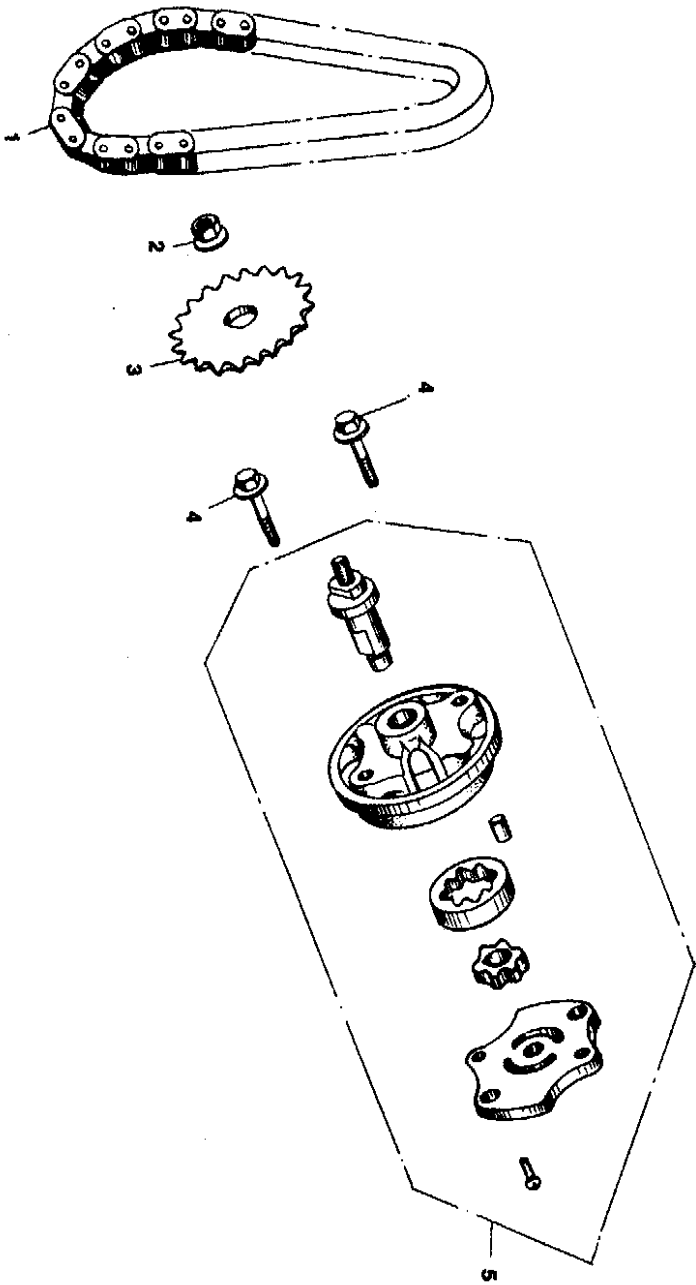


FIG.11

TRANSMISSION ASSY.

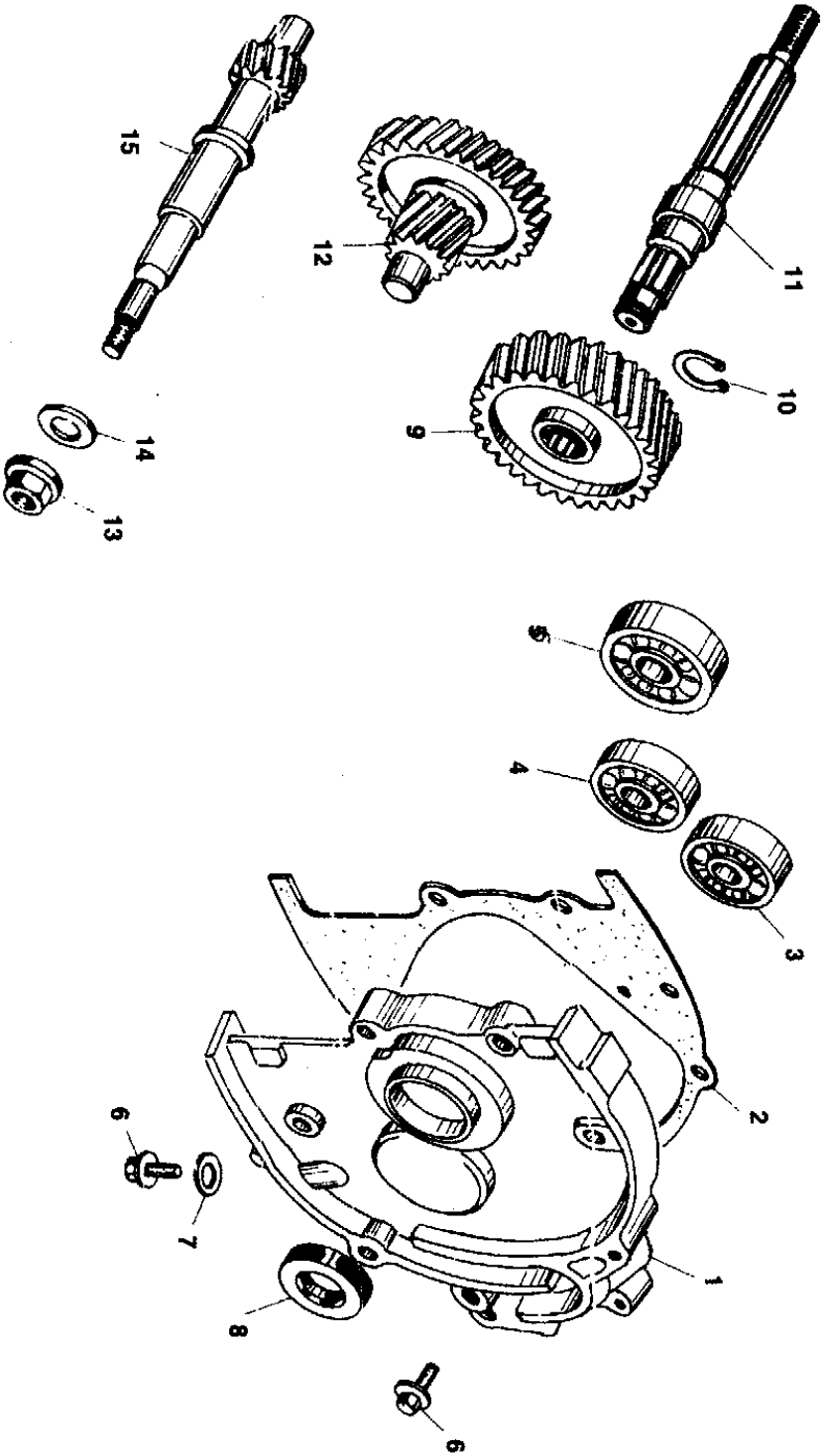


FIG.12

ELECTRIC SYSTEM

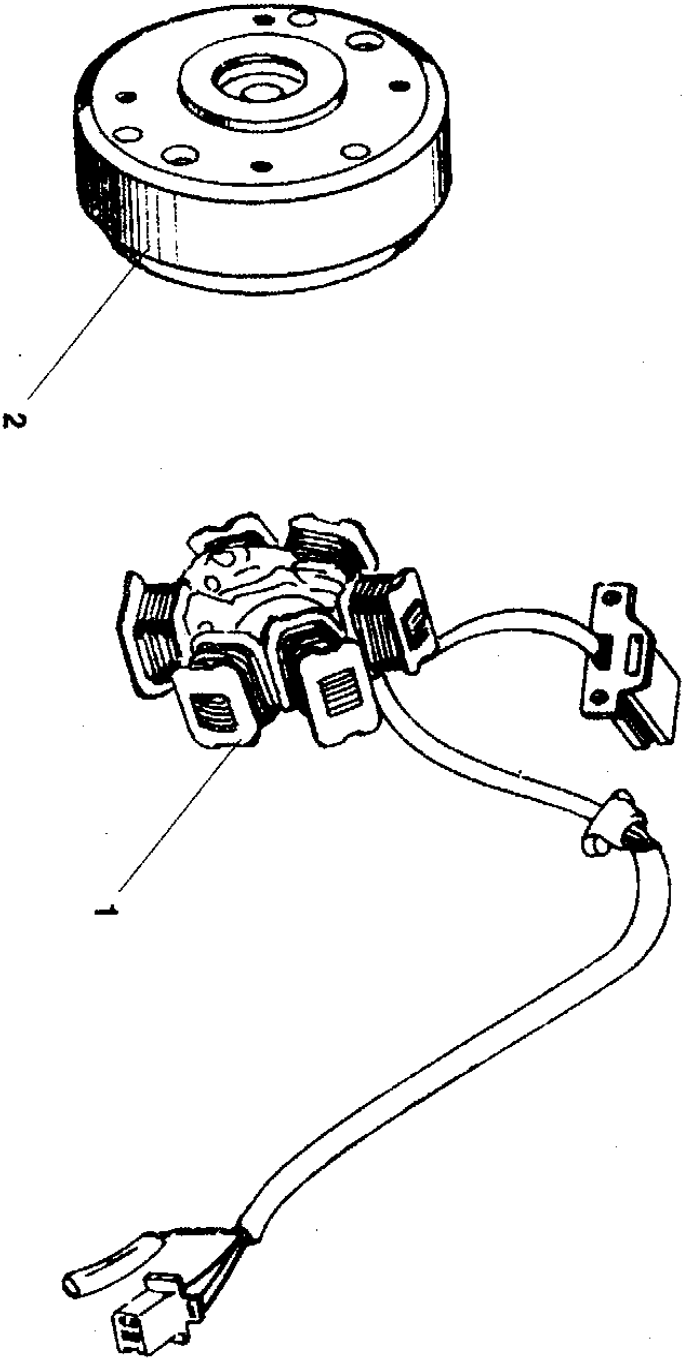


FIG.13

ELECTRIC STARTER ASSY.

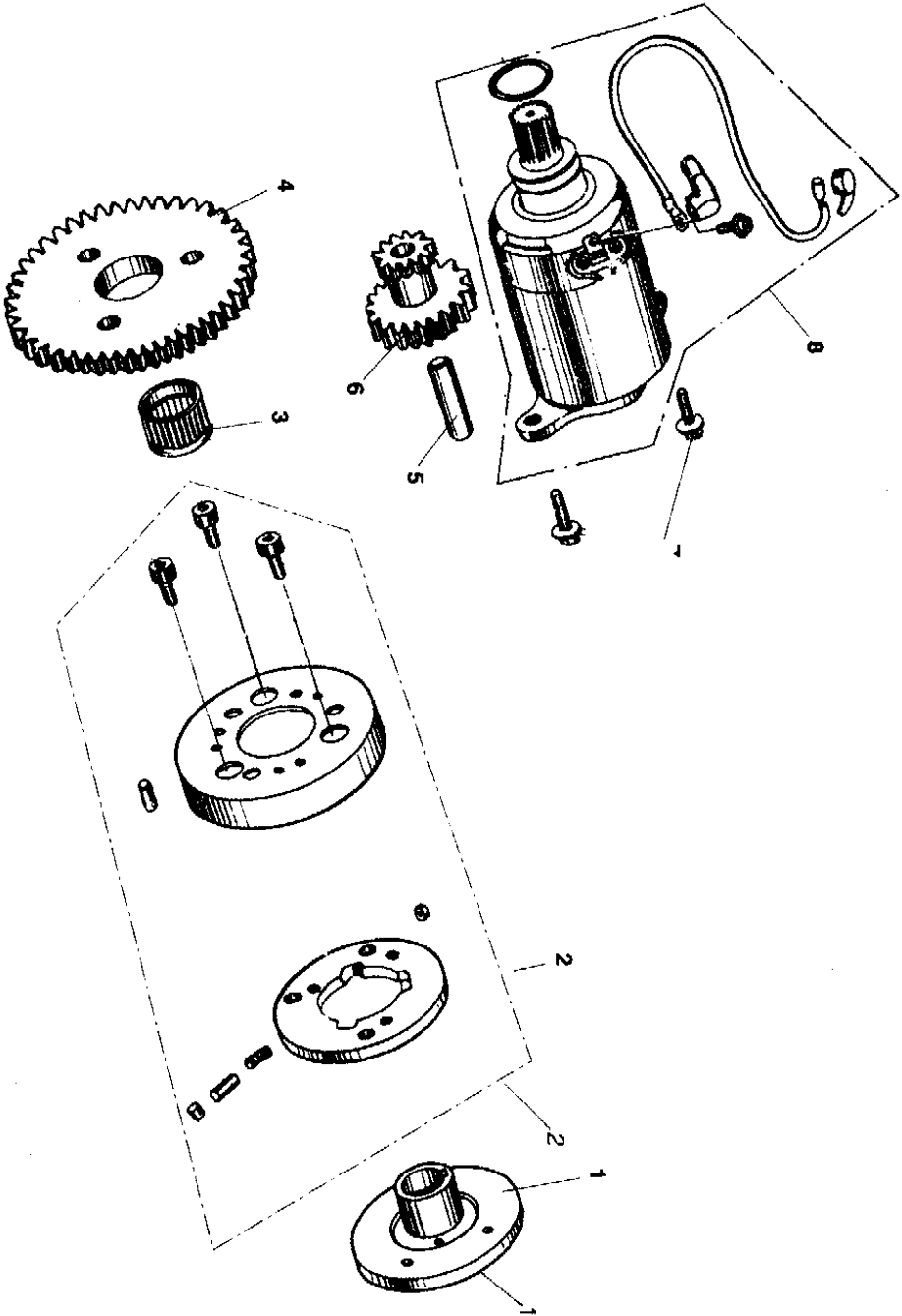
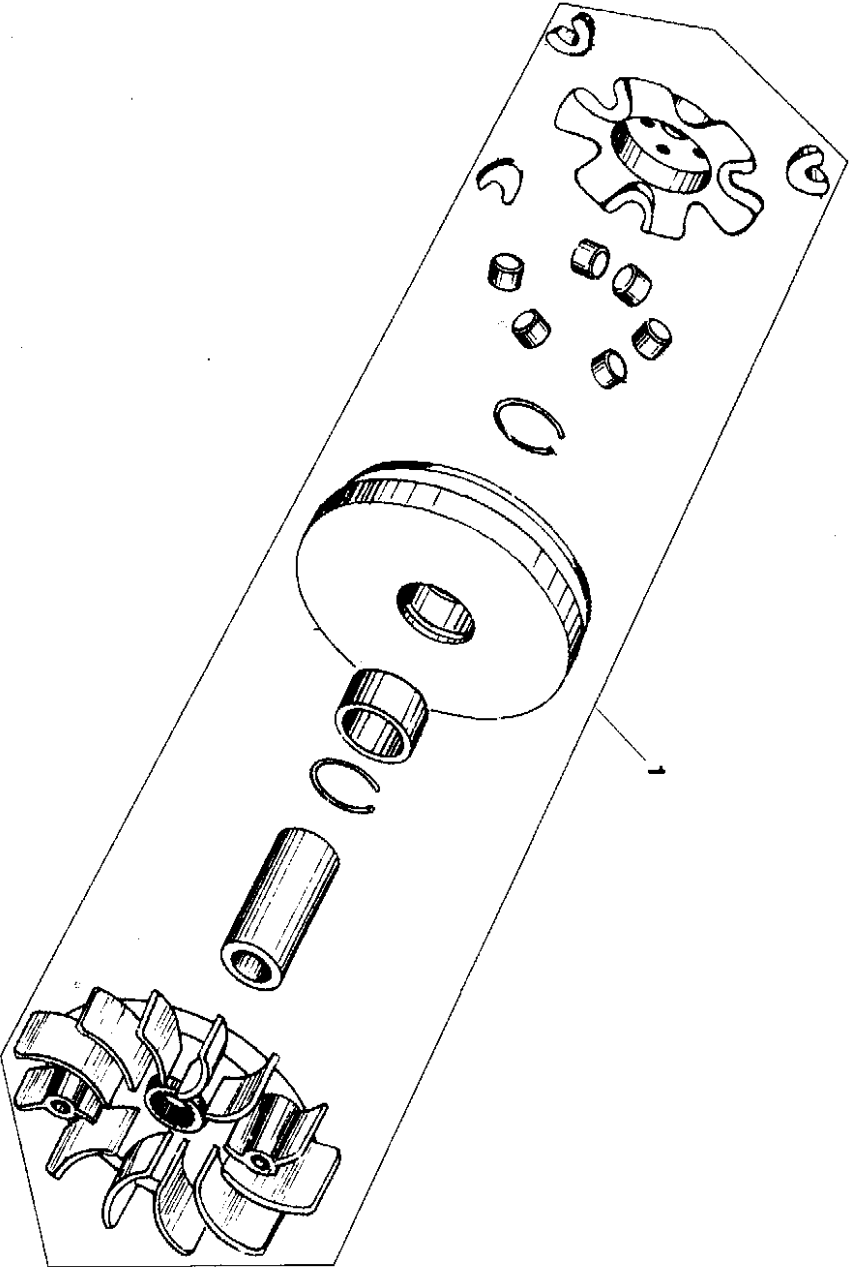


FIG.14

DRIVE PULLEY SUBASSY.

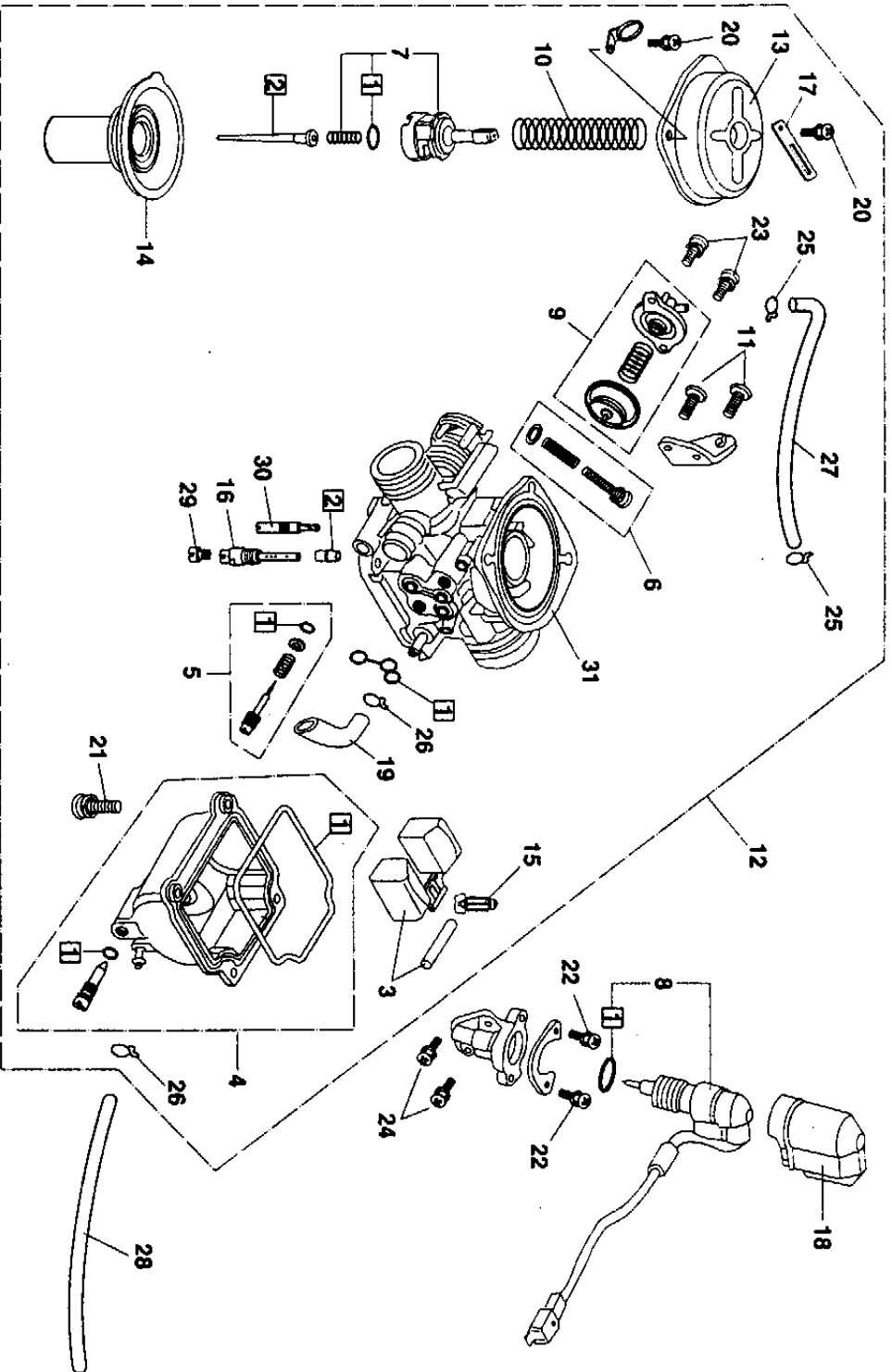


CARBURETOR			
NO.	PART NO.	PART NAME	Q'TY
24	93892-05012-18	SCREW-WASHER, M6X12	2
25	95002-02079	CLIP(TUBE#7)	2
26	95002-02089	CLIP(TUBE#8)	2
27	95005-35200-21	TUBE,3.5X210	2
28	16199-GT8-600	TUBE	1
29	99101-GHB-0112	JET,MAIN 112#	1
30	99103-GY6-0350	JET,SLOW 35#	1
31	16100-KAY-923	CARBURETOR BODY	1

CARBURETOR			
NO.	PART NO.	PART NAME	Q'TY
1	1601-KAT-901	GASKET SETA	1
2	16012-KAT-903	NEEDLE SET,JET	1
3	16013-KAT-904	FLOAT SET	1
4	16015-KAT-905	CHAMBER SET,FLOAT	1
5	16016-KAT-906	SCREW SETA	1
6	16028-KAT-907	SCREW SET B	1
7	16037-KAT-908	PLATE SET, VALVE	1
8	16046-KAT-909	BYSTARTER ASSY, AUTO	1
9	16048-KAT-910	VALVE SET,AER CUT	1
10	16050-KAT-911	SPRING, COMPRESSION COIL	1
11	16080-KJ9-003	SCREW/PAN M6X12	1
12	16100-KAT-913	CARBURETOR ASSY.	2
13	16107-KAT-914	TOP	1
14	16111-KAT-915	PISTON COMP., VACUUM	1
15	16155-KAT-902	VALVE COMP,FLOAT	1
16	16165-KAT-916	HOLDER,NEEDLE JET	1
17	16179-KAB-670	BINDER	1
18	16190-GJ2-004	CAP,HOLDER	1
19	95005-45270-509	TUBE	1
20	35000-04008	SCREW/PAN, M4X8	1
21	93600-04014-1H	SCREW/PAN, M4X14	2
22	93892-04008-18	SCREW-WASHER, M4X8	4
23	93892-04010-18	SCREW-WASHER, M4X10	2

FIG. 15

CARBURETOR



FRAME GROUP

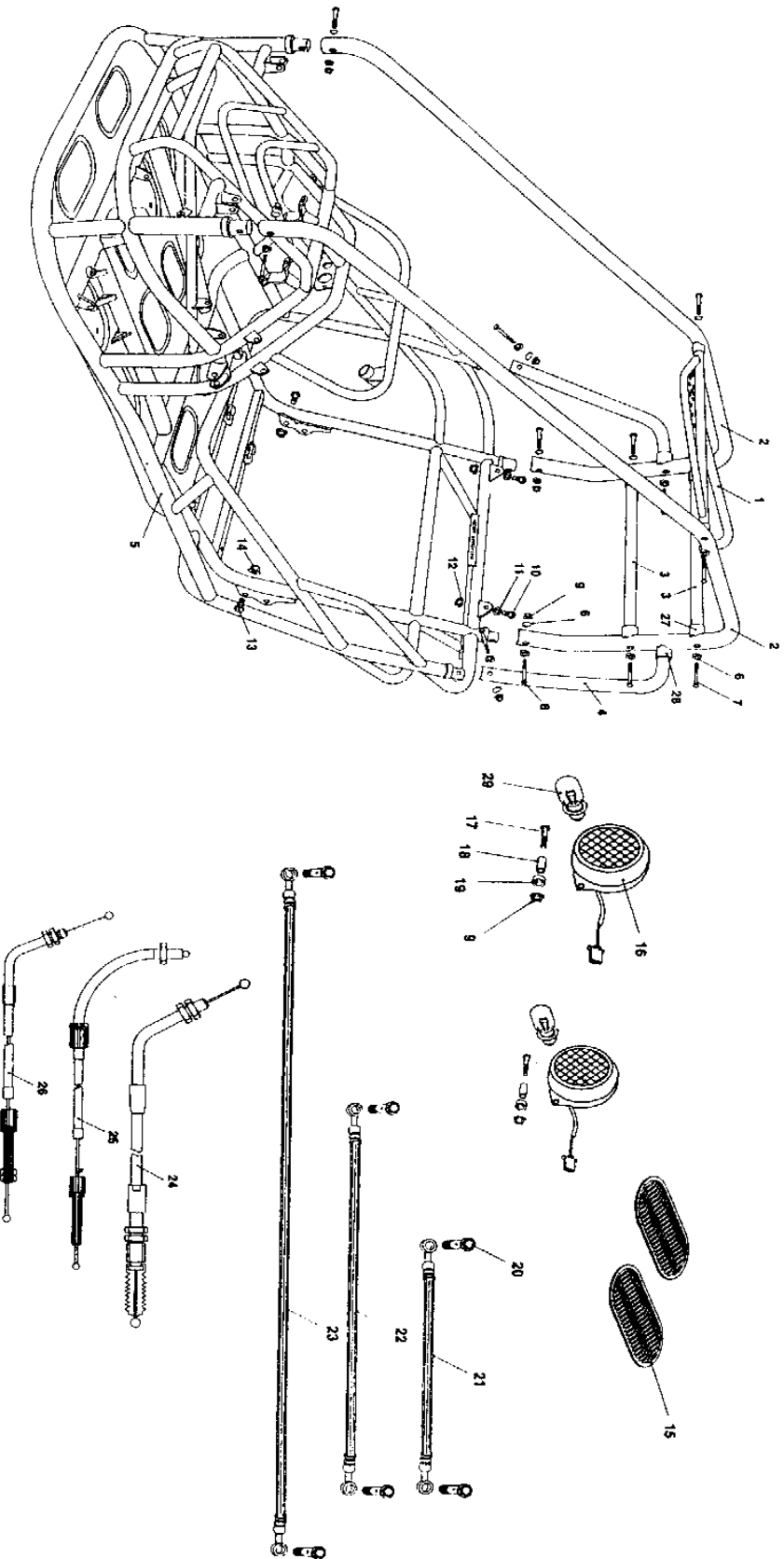
NO.	PART NO.	PART NAME	Q T Y
24	6.000.034	CABLE COMP. THROTTLE	1
25	6.000.040	CABLE COMP. REVERSE	1
26	6.000.050	CABLE COMP. PARKING BRAKE	1
27	7.010.017	TUBE SEAT Ø25	8
28	7.010.016	TUBE SEAT Ø32	2
29	9.090.001	BULB, HEADLIGHT	2

FRAME GROUP

NO.	PART NO.	PART NAME	Q T Y
1	6.000.061	ROLL CAGE CROSS BAR. FR.	1
2	8.070.034	ROLL CAGE BAR. LH. RH.	2
3	8.080.033	ROLL CAGE CROSS BAR. RR.	2
4	8.070.035	ROLL CAGE BAR. L. R. SIDE	2
5	2.000.012	FRAME COMP	1
6	8.010.047	R-WASHER	20
7	9.108.055	BOLT-WASHER M8X1.25X55	8
8	9.108.050	BOLT-WASHER MX1.25X50	6
9	9.220.008	NUT. FLANG. LOCK M8	8
10	9.700.001	BOLT. SPECIAL. M7/16"X28	2
11	9.700.002	WASHER. BELT. Ø12	2
12	9.700.003	NUT. BELT. M7/16"	2
13	9.112.025	BOLT-WASHER M12X1.25X25	2
14	9.220.012	NUT. FLANGE LOCK M12	2
15	7.020.012	FOOT PLATE. RUBBER	4
16	6.000.009	HEADLIGHT UNIT	2
17	9.108.040	BOLT-WASHER M8X1.25X40	2
18	8.010.048	COLLAR. HEADLIGHT	2
19	8.010.049	BUSH. HEADLIGHT	2
20	9.700.004	BOLT. BANJO M10X24	6
21	7.020.024	HOSE ASSY. L. BRAKE. 34"	1
22	7.020.025	HOSE ASSY. R. BRAKE. 43"	1
23	7.020.026	HOSE ASSY. RR. BRAKE. 75"	1

FIG.16

FRAME GROUP



STEERING SHAFT ASSY.

NO.	PART NO.	PART NAME	Q'TY
24	7.020.202	DUST COVER. R. BALL JOINT	1
25	8.020.014	BRACKET. STEERING GEAR	2
26	9.220.008	NUT. FLANGE LOCK M8	8
27	9.708.145	BOLT. THROTTLE PEDAL M8x1.25x145	1
28	8.040.001(LH)	SPRING. THROTTLE PEDAL RETURN	1
29	9.108.040	BOLT-WASHER M8x1.25x40	2
30	9.200.008	NUT M8	2
31	4.000.016	THROTTLE PEDAL COMP.	1
32	9.600.515	SCREW/PAN. M5x15	2
33	9.300.005	WASHER. FLAT Ø5	2
34	9.200.005	NUT M5	2
35	4.000.015	BRAKE PEDAL COMP	1
36	9.700.624	PIN 6x24	1
37	8.010.004	PIN. SPINDLE	1
38	9.500.212	PIN. COTTER 2x12	1
39	6.000.063	SWTCH ASSY. BRAKE LAMP	1
40	9.600.306	SCREW/PAN M3x6	2
41	7.010.004	BUSH. PEDAL	4
42	8.040.001(RH)	SPRING. BRAKE PEDAL RETURN	1
43	9.708.222	BOLT. BRAKE PEDAL M8x1.25x222	1
44	6.000.027	MASTER CYLINDER	1
45	9.108.025	BOLT-WASHER M8x1.25x25	2
46	7.020.004	PEDAL PAD.	2

STEERING SHAFT ASSY.

NO.	PART NO.	PART NAME	Q'TY
1	7.010.014	COVER. STEERING BOLT	1
2	9.100.612	BPLT. M6x12	3
3	9.400.006	WASHER. LOCK Ø6	3
4	7.020.010	STEERING WHEEL	1
5	4.000.016	STEERING SHAFT	1
6	7.010.026	BUSH. STEERING SHAFT	2
7	9.700.020	WASHER. SPECIAL Ø20	1
8	9.700.120	CIRCLIP Ø20	1
9	9.100.825	BOLT M8x25	2
10	9.400.008	WASHER. LOCK Ø8	2
11	4.000.015	STEERING KNUCKLE	1
12	4.000.014	STEERING GEAR	1
13	9.108.025	BOLT-WASHER M8x1.25x25	4
14	9.900.016	ROUND NUT M16x1.5	2
15	4.000.008	STEERING BALL JOINT	2
16	9.200.010	NUT. M10	2
17	7.020.002	DUST COVER. L. BALL JOINT	1
18	8.010.071	TIE ROD	2
19	6.000.062	ROD END.	2
20	9.300.010	WASHER. FLAT Ø10	2
21	9.400.010	WASHER. LOCK Ø10	2
22	9.800.010	NUTCASTLE M10	2
23	9.500.215	PIN. COTTER	2

SUSPENSION ARM ASSY.

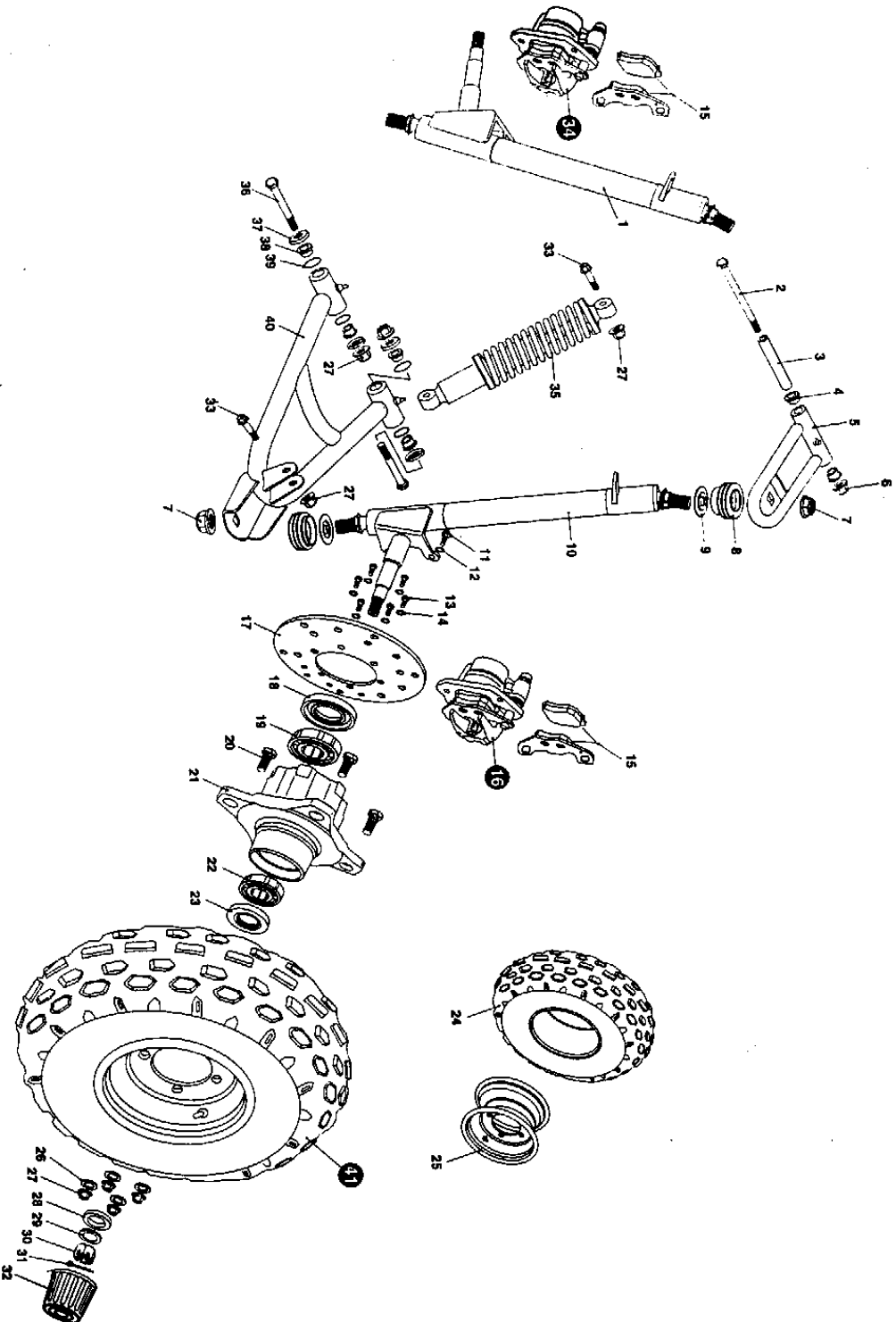
NO.	PART NO.	PART NAME	Q T Y
24	6.000.003-I	TIRE, FR, 19X7.8	2
25	6.000.003-G	RIM, FR	2
26	9.300.010	WASHER, FLAT Ø 10	8
27	9.220.010	NUT, FLANGE LOCK M10	16
28	8.010.043	SPACER, FR. HUB	2
29	9.300.014	WASHER, FLAT Ø 14	2
30	9.800.014	BOLT CASTLE, M14	2
31	9.500.330	PIN,COTTER Ø3x30	2
32	7.020.009	COVER, DUST, HUB	2
33	9.110.040	BOLT,WASHER M10x1.25x40	4
34	6.000.028-R	FRONT BRAKE CALIPER, R	1
35	6.000.325	CUSHION ASSY, FR. L=325	2
36	9.110.080	BOLT,WASHER M10x1.25x80	4
37	8.020.034	DUST CAP,LOWER SUSPENSION ARM	8
38	7.010.002	BUSH, LOWER SUSPENSION ARM	8
39	9.040.001	O-RING Ø21.2x2.65	8
40	4.000.023	LOWER SUSPENSION ARM ASSY.	2
41	6.000.003	FR.WHEEL ASSY.	2

SUSPENSION ARM ASSY.

NO.	PART NO.	PART NAME	Q T Y
1	2.000.005-L	SUPPORT, STRUT AND SPINDLE L	1
2	9.108.105	BOLT,WASHER M8x1.25x105	2
3	8.010.015	SPACER, UPPER SUSPENSION ARM	2
4	7.010.003	BUSH, UPPER SUSPENSION ARM	4
5	4.000.004	UPPER SUSPENSION ARM	2
6	9.220.008	NUT, FLANGE LOCK M8	2
7	9.220.012	NUT, FLANGE LOCK M12	4
8	7.020.025	DUST SEAL, BALL HEAD	4
9	8.020.053	SPACER, BALL HEAD	4
10	2.000.005-R	SUPPORT, STRUT AND SPINDLE R	1
11	9.100.814	BOLT M8x14	4
12	9.400.008	WASHER LOCK Ø 8	4
13	9.100.612	BOLT M6x12	12
14	9.400.006	WASHER LOCK Ø 6	12
15	7.020.016	PAD SET, FR. BRAKE CALIPER	2
16	6.000.028-L	FRONT BRAKE CALIPER L	1
17	8.010.054	DISC, FR. BRAKE	2
18	9.040.002	DUST SEAL 47x25-7	2
19	9.030.002	BEARING 6204	2
20	9.710.025	BOLT, TIRE M10x1.25x25	8
21	8.010.055	HUB, FR. WHEEL	2
22	9.030.003	BEARING 6203	2
23	9.040.003	DUST SEAL 42x27-7	2

FIG.18

SUSPENSION ARM ASSY.



REAR CARGO RACK/SEAT/BELT

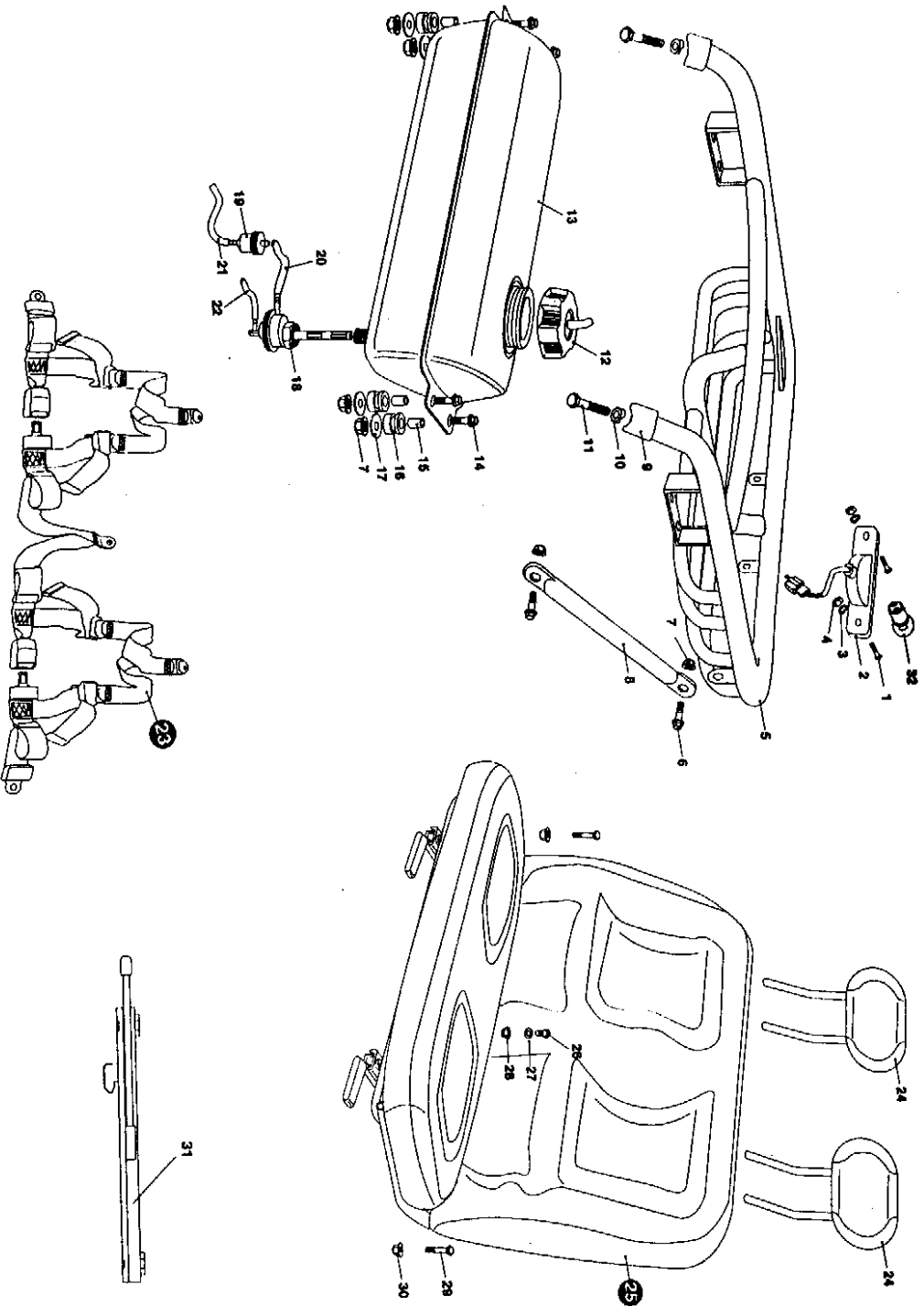
NO.	PART NO.	PART NAME	Q T Y
24	6.000.011	HEAD-REST	2
25	8.000.044	SEAT COMP	1
26	9.700.001	BOLT, SPECIAL. M7/16"x28	1
27	9.700.002	WASHER, BELT Ø12	1
28	9.700.003	NUT, BELT M7/16"	1
29	9.100.840	BOLT M8x1.25x40	2
30	9.220.008	NUT FLANGE LOCK M8	2
31	6.000.057	RAIL SET, SEAT	1
32	9.090.002	BULB, TAIL LIGHT	1

REAR CARGO RACK/SEAT/BELT

NO.	PART NO.	PART NAME	Q T Y
1	9.600.520	SCREW, PANL. M5x20	2
2	6.000.010	TAIL LIGHT	1
3	9.400.005	WASHER LOCK Ø5	2
4	9.200.005	NUT, M5	2
5	2.000.001	REAR CARGO RACK	1
6	9.105.020	BOLT-WASHER M8x1.25x20	4
7	9.220.008	NUT, FLANGE LOCK M8	8
8	8.080.029	SUPPORTER, REAR CARGO RACK	2
9	7.010.016	TUBE SEAT Ø32	2
10	8.010.047	R-WASHER	2
11	9.108.055	BOLT-WASHER M8x1.25x55	2
12	6.000.053	CAP COMP, FUEL FILLER	1
13	4.000.011	TANK COMP, FUEL	1
14	9.108.025	BOLT-WASHER M8x1.25x25	4
15	8.010.034	COLLAR, TANK COMP.	4
16	7.020.005	RUBBER MOUNT	4
17	9.300.008	WASHER FLAT Ø8	4
18	6.000.046	COCK ASS'Y, FUEL AUTO	1
19	6.000.056	FILTER	1
20	7.020.021	TUBE COMP, FUEL #1	1
21	7.020.022	TUBE COMP, FUEL #2	1
22	7.020.023	TUBE COMP, VACUUM	1
23	6.000.045	BELT, SAFETY	1

FIG.19

REAR CARGO RACK/SEAT/BELT

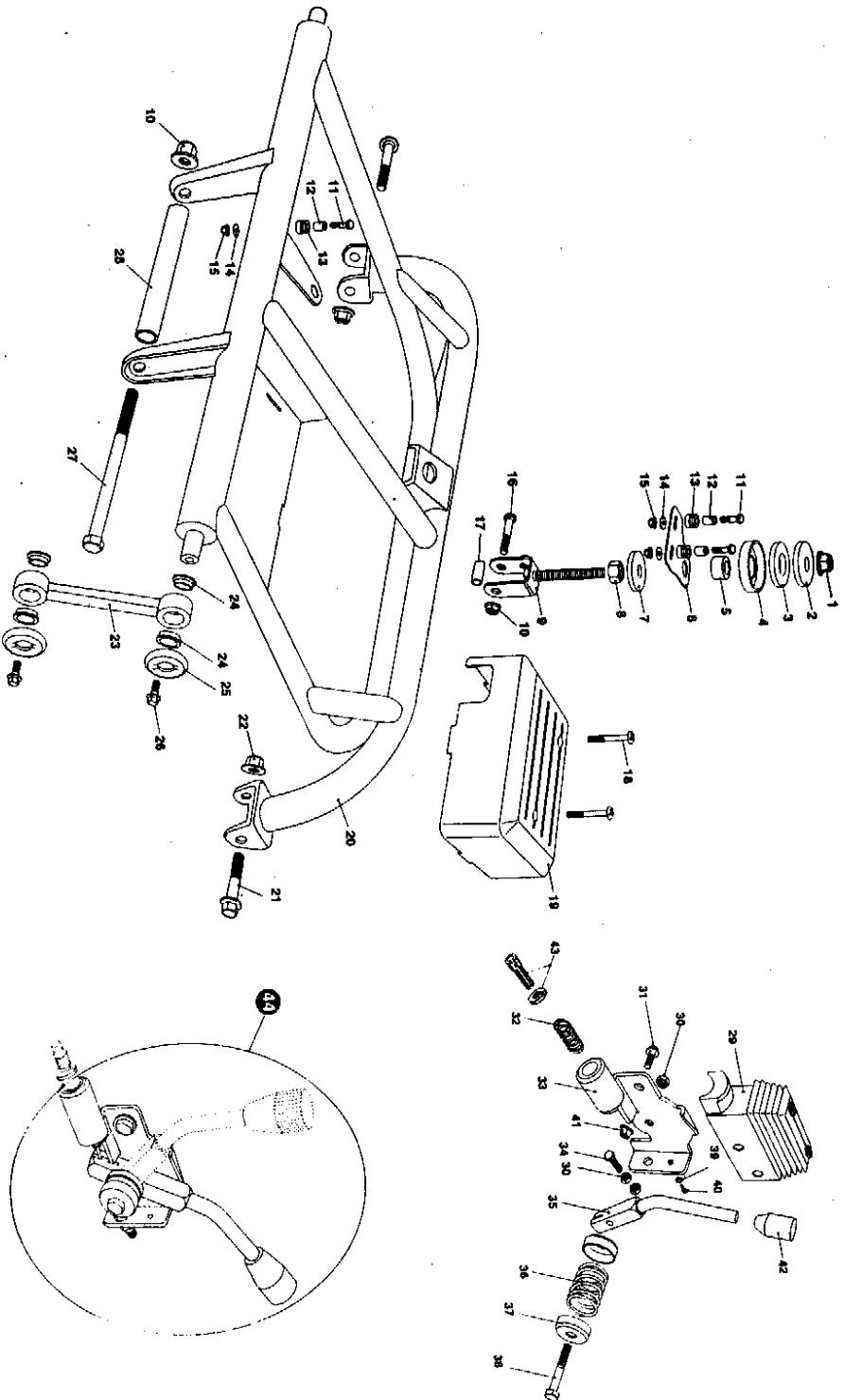


REAR SWING ARM ASS'Y. UPPER			
NO.	PART NO.	PART NAME	Q T Y
24	7.010.008	BUSH, CON' ROD	8
25	8.020.013	WASHER, CON' ROD	4
26	9.108.016	BOLT-WASHER M8X1.25X16	4
27	9.710.195	BOLT-WASHER M10X1.25X195	1
28	8.010.025	SPACER, ENGINE MOUNT	1
29	7.020.024	COVER, REVERSE LEVER	2
30	9.200.008	NUT, M8	6
31	9.108.020	BOLT-WASHER M8X1.25X20	2
32	8.040.004	SPRING, CABLE.	1
33	6.000.064	BRACKET, LEVER	2
34	9.100.830	BOLT M8X30	2
35	6.000.065	LEVER, REVERSE, PARKING BRAKE	2
36	8.040.003	SPRING, LEVER	2
37	8.020.082	SPACER, LEVER	4
38	9.108.040	BOLT-WASHER M8X1.25X40	2
39	9.300.005	WASHER FLAT Ø5	2
40	9.600.512	SCREW, PAN, M6X12	2
41	9.220.008	NUT FLANGE LOCK M8	2
42	7.020.026	COVER, LEVER, GREEN/BLACK	2
43	6.000.051	ROD ADJUSTING, CABLE	2
44	6.000.042	PARKING BRAKE REVERSE LEVER ASSY.	2

REAR SWING ARM ASS'Y. UPPER			
NO.	PART NO.	PART NAME	Q T Y
1	9.220.012	NUT, FLANGE LOCK M12	1
2	8.010.042	WASHER, ENGINE MOUNT LINK	1
3	7.020.001	CUSHION, ENGINE MOUNT LINK	1
4	8.020.045	SPACER, ENGINE MOUNT LINK	1
5	8.010.041	COLLAR, ENGINE MOUNT LINK	1
6	8.020.044	BRACKET, AIR CLEANER ASSY.	1
7	9.300.012	WASHER, FLAT Ø12	1
8	9.200.012	NUT, M12	1
9	6.000.026	ENGINE MOUNT LINK	1
10	9.220.010	NUT, FLANGE LOCK M10	1
11	9.100.635	BOLT M6 35	3
12	8.010.034	COLLAR, BRACKET	3
13	7.020.005	RUBBER MOUNT	3
14	9.300.006	WASHER Ø6	3
15	9.200.006	NUT M6	3
16	9.110.045	BOLT-WASHER M10X1.25X45	1
17	8.010.076	SPACER, ENGINE	1
18	9.600.655	SCREW, PAN, M6X55	2
19	7.010.029	COVER, ELECTRIC ASSY.	1
20	2.000.203	REAR SWING ARM ASSY, UPPER	1
21	9.112.060	BOLT-WASHER M12X1.25X60	2
22	9.220.012	NUT, FLANGE LOCK M12	2
23	8.030.001	CON' ROD	2

FIG.20

REAR SWING ARM ASSY. UPPER



ENGINE/MUFFLER/AIR CLEANER

NO.	PART NO.	PART NAME	Q T Y
24	7.010.021	CASE COMP. AIR CLEANER	1
25	7.010.022	ELEMENT, AIR CLEANER	1
26	7.010.023	ELEMENT, AIR CLEANER SECOND	1
27	7.010.024	COVER, AIR CLEANER	2
28	9.400.005	WASHER LOCK Ø5	2
29	9.100.612	BOLT, M6x12	2
30	8.020.076	CHAIN PROTECTOT, RR.	1
31	9.100.816	BOLT, M8x16	2
32	9.400.008	WESHER LOCK Ø8	2

ENGINE/MUFFLER/AIR CLEANER

NO.	PART NO.	PART NAME	Q T Y
1	6.000.019	REVERSE ASSY.	1
2	8.010.050	INTERNAL COLLAR, REVERSE	1
3	9.220.016	NUT, FLANGE LOCK M16	1
4	9.101.020	BOLT, M10x20	3
5	9.400.010	WASHER LOCK Ø10	1
6	8.020.057	BRACKET, REVERSE	1
7	9.200.008	NUT, FLANGE LOCK M8	1
8	8.020.058	CONNECTOR PANEL, REVERSE	1
9	9.100.840	BOLT, M18x1.25x40	1
10	9.400.010	NUT, FLANGE LOCK M10	1
11	8.020.056	BAND, AIR CLEANER CONNECTING TUBE	1
12	6.000.017	AIR CLEANER ASSY.	1
13	6.000.024	CARBURETOR	1
14	2.000.009	ENGINE, 150cc	1
15	8.030.005	RACK SUPPORT, MUFFLER	1
16	9.101.025	BOLT, M10x25	1
17	6.000.215	PROTECTOR, MUFFLER	1
18	6.000.015	MUFFLER COMPLEX	1
19	8.020.055	CLAMP, BOOT	1
20	7.020.012	BOOT, SIDE CASE	2
21	9.040.027	NUT, MUFFLER JOINT, M6	1
22	9.040.005	GASKET, EX. PIPE	1
23	7.020.013	AIR CLEANER CONNECTING TUBE	1

FIG.21

ENGINE/MUFFLER/AIR CLEANER

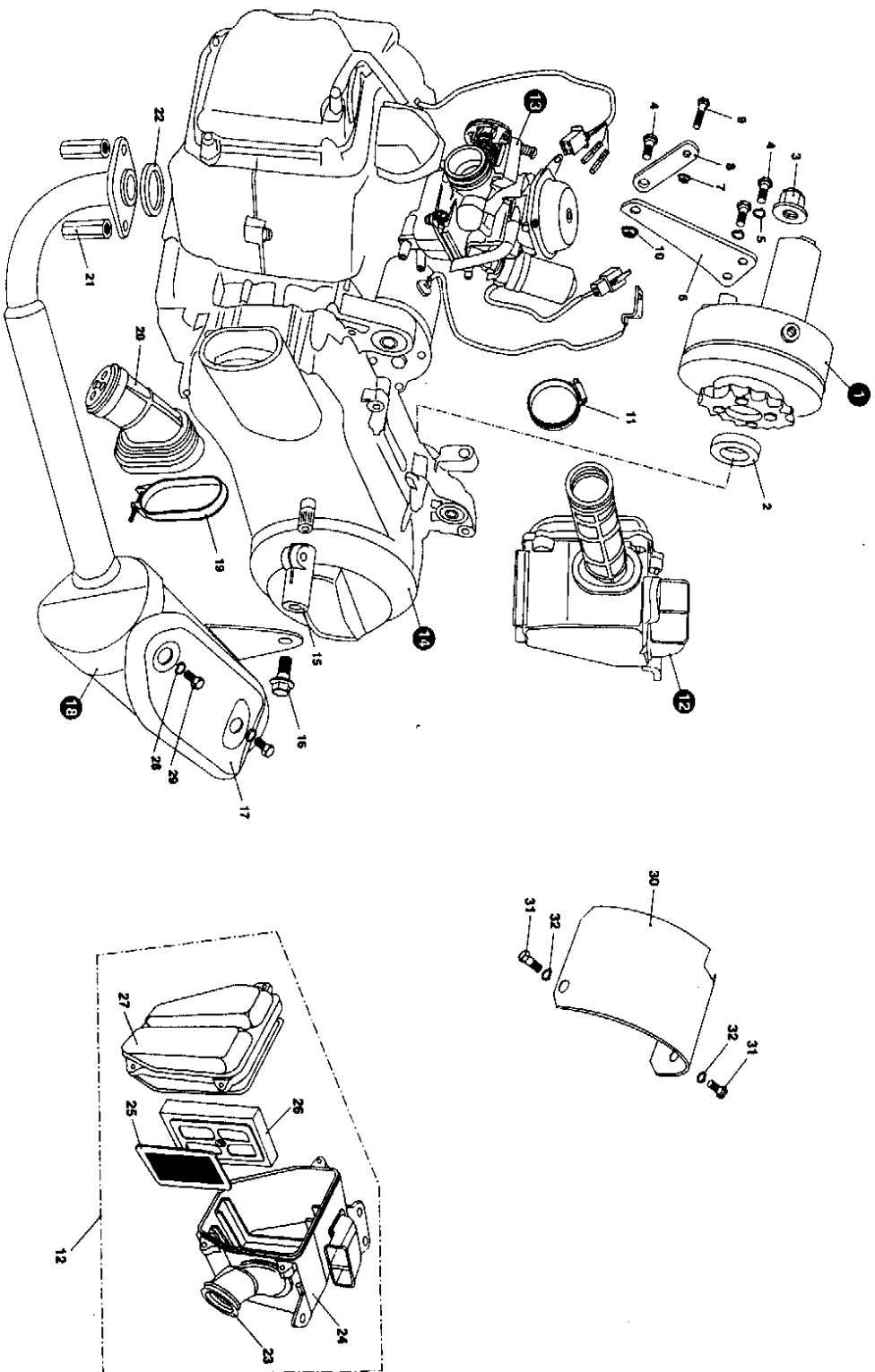


FIG.22

REAR SWING ARM

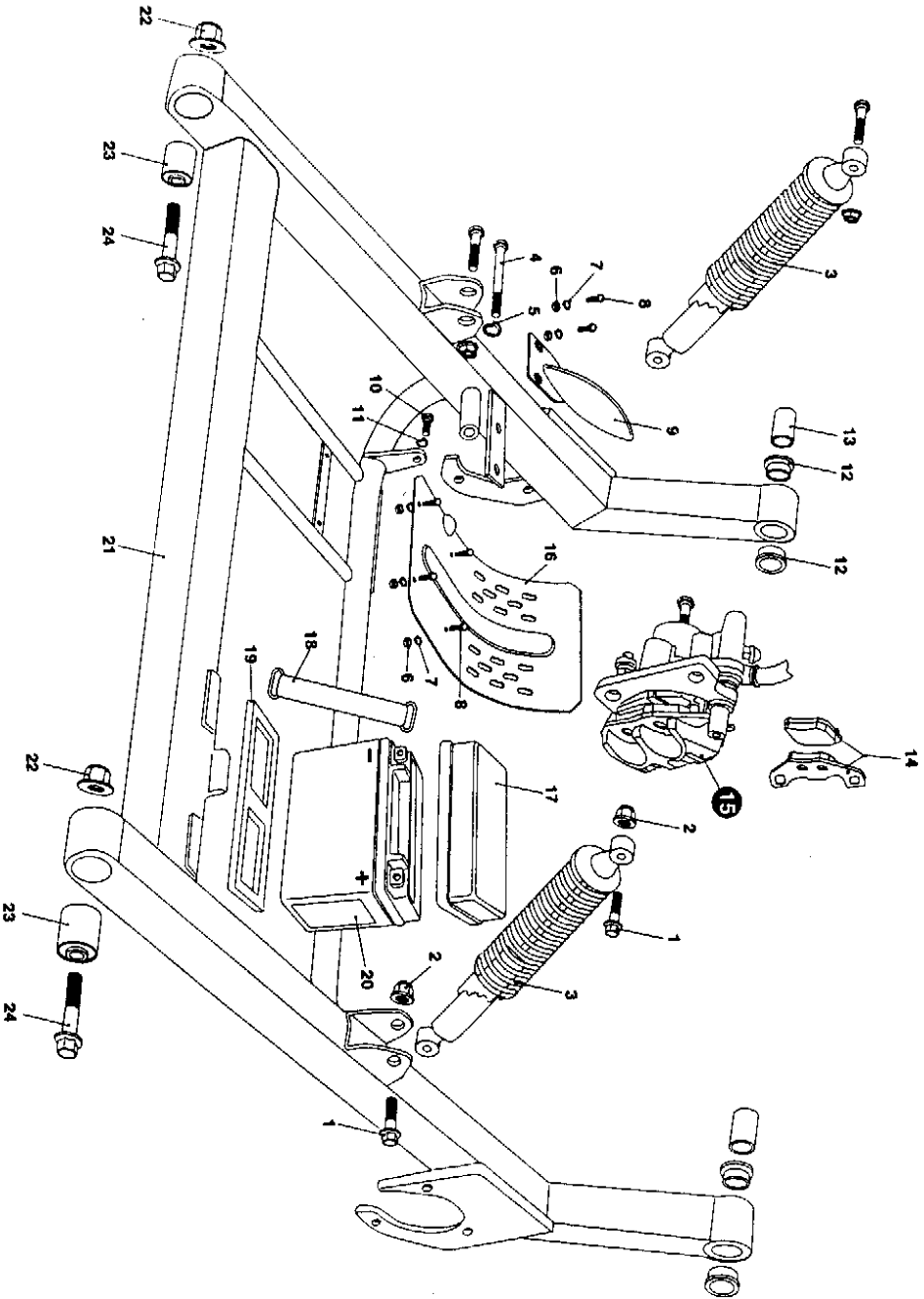
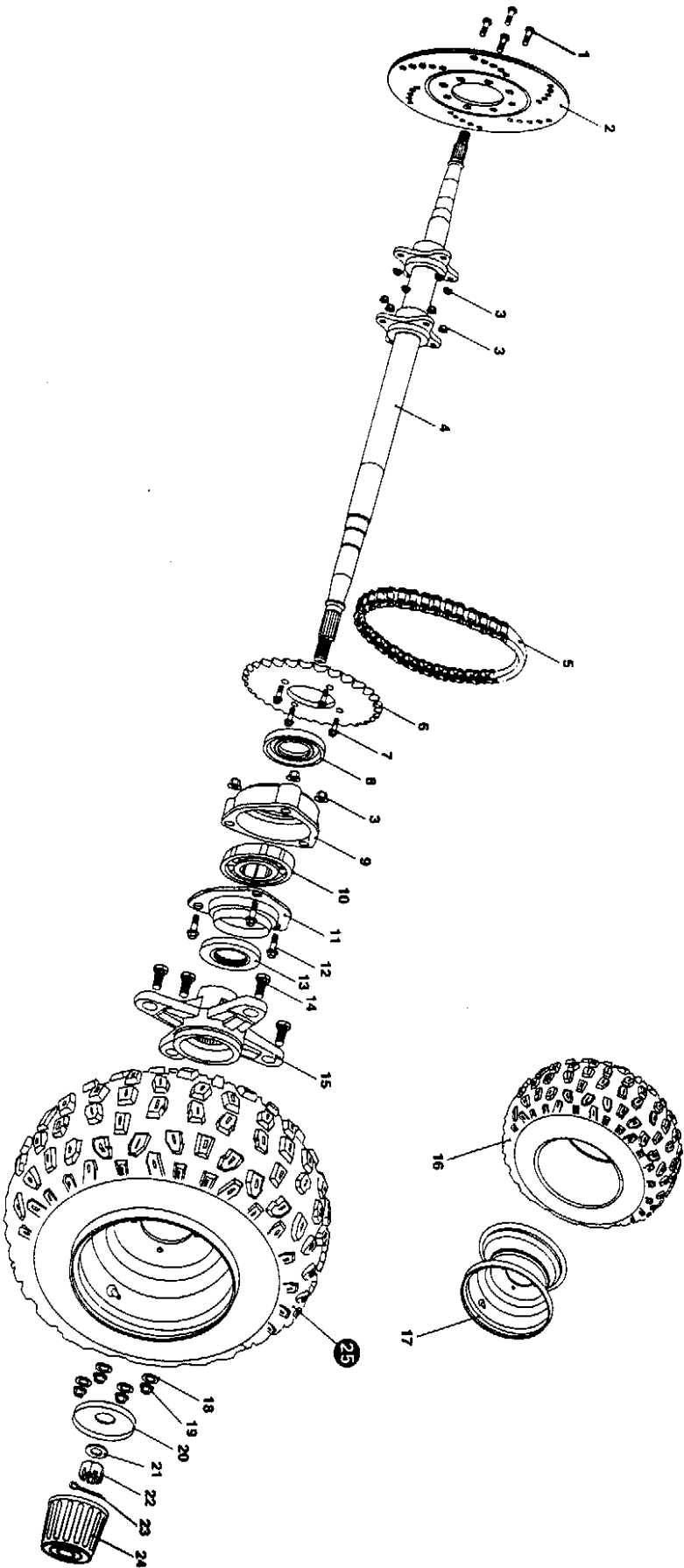


FIG.23

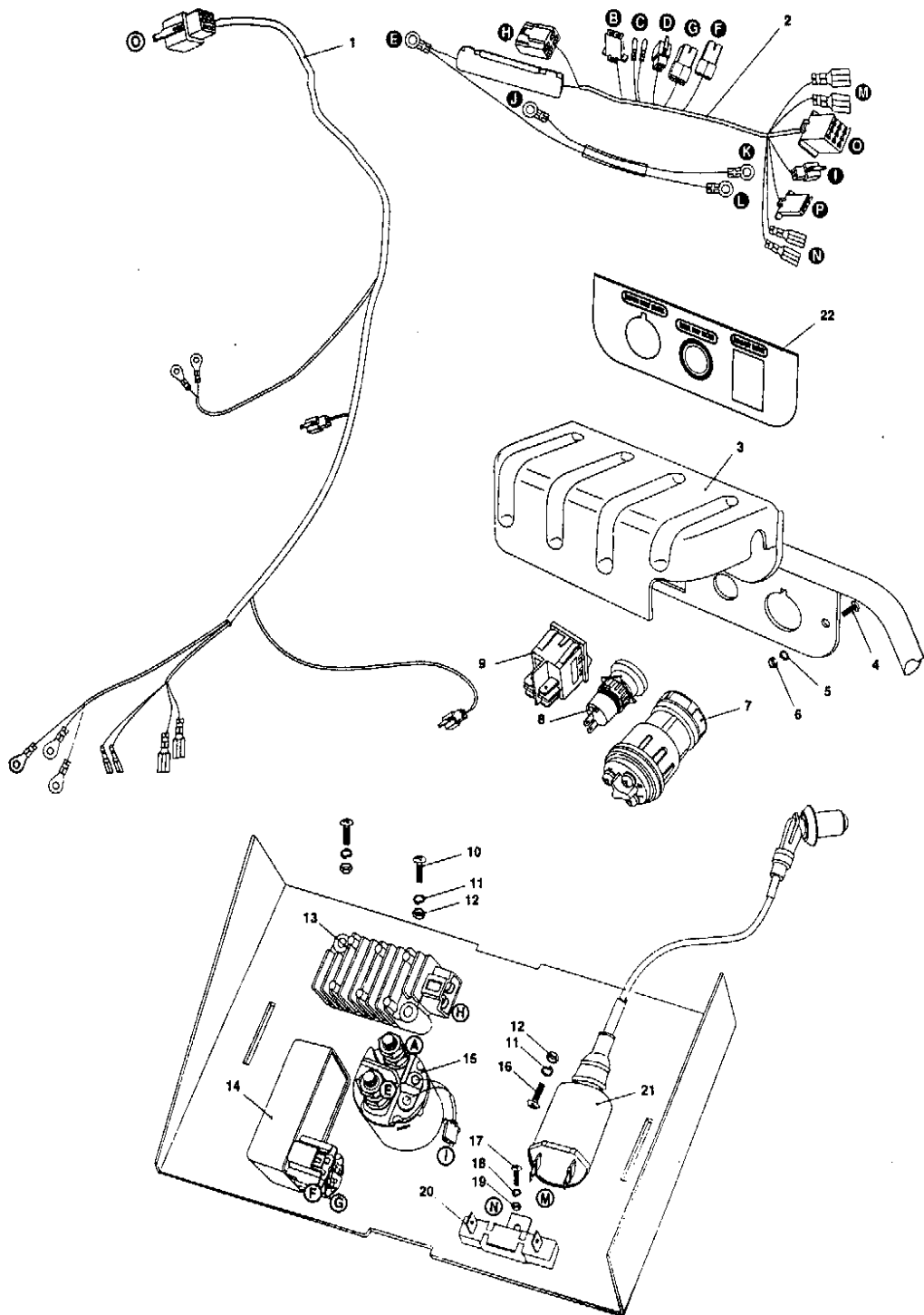
REAR HOUSING



WIRE HARNESS/ELECTRICAL			
NO.	PART NO.	PART NAME	Q'TY
1	6.000.049	HARNSS. WIRE	1
2	6.000.049-1	SOCKET COMP	1
3	7.010.027	COVER SWITCH	1
4	9.600.515	SCREW PAN M5X15	2
5	9.400.005	WASHER LOCK Ø6	2
6	9.200.005	NUT, M5	2
7	6.000.020	IGNITION START SWITCH	1
8	6.000.047	ENGING STOP BUTTON	1
9	6.000.058	HEADLIGHT SWITCH	1
10	9.100.630	BOLT, M6X30	2
11	9.400.006	WASHER LOCK Ø6	2
12	9.200.006	NUT, M6	3
13	6.000.036	RECTIFIER COMP. REGULATE	1
14	6.000.037	UNIT COMP. C.D. I.	1
15	6.000.035	STARTING RELAY	1
16	9.600.625	SCREW PAN M6X25	1
17	9.600.410	SCREW PAN M4X10	1
18	9.300.004	WASHER LOCK Ø4	1
19	9.200.004	NUT, M4	1
20	6.000.038	RESISTOR COMP 10W 10Ω	1
21	6.000.025	COIL COMP. IGNITION	1
22	7.010.030	LABEL. IGNITION START SWITCH	1

FIG.24

WIRE HARNESS/ELECTRICAL



REVERSE ASSY.					
NO.	PART NO.	PART NAME	Q T Y		
1	8.030.016	GEAR CASE, R	1		
2	8.030.017	GEAR CASE, L	1		
3	8.030.018	COVER, GEAR SHIFTING SHITING YOKE	1		
4	9.030.004	BEARING 6003 DDU	1		
5	6.000.033	COUNTER GEAR SHAFT COMP.	1		
6	8.010.064	BUSHING, DRIVE GEAR	1		
7	8.010.065	DRIVE GEAR	1		
8	8.020.059	COLLAR, DRIVE GEAR	1		
9	7.020.017	RUBBER OIL SEAL	1		
10	9.030.005	NEEDLE BEARING 28X35X20	1		
11	8.010.061	DRIVE SPROCKET	1		
12	8.010.066	INTERNAL COLLAR	1		
13	8.040.003	SPRING, GEAR SHIFTING YOKE	1		
14	9.700.112	CIRCLIP Ø12	1		
15	8.010.067	GEAR SHIFTING YOKE	1		
16	9.600.620	SCREW. PAN. M6X20	2		
17	9.200.004	NUT HEX 8MM	3		
18	9.400.005	LOCK WASHER Ø8	9		
19	9.100.840	BOLT, M8X40	3		
20	9.100.825	BOLT, M8X25	6		

FIG.25

REVERSE ASSY.

